

TIBLE

WINTER COVER



- Enhanced safety
- Guaranteed strength
- Available in 3 colors with 4 mounting options



3 YEARS
WARRANTY



FLUIDRA



ENHANCED SAFETY




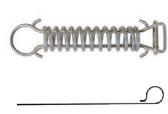
The TIBLE cover is a 150 g/m² polypropylene calendered woven net. This cover is available only for pools up to 12 x 6 m; beyond that, the cover will no longer comply with the safety standard and will therefore be simply a convenience cover.

Made in France, the TIBLE cover has numerous reinforcements to guarantee optimum safety and strength. It has peripheral straps and triangular reinforcements at the corners. The straps are arranged all around the edge approximately every 0.75 m. They are composed of torque springs and ring bolt. Its 0.30 m overhang on the edge ensures ideal protection for your pool. There is also a crystal reinforcement on the seams at the coping and ladder.

The cover is available in 3 colors: blue, green and grey. While guaranteeing pool safety, the straps maintain their aesthetics and are black with a gray border. 4 mount options so that the cover can be mounted on any type of ground (wood, tiles, lawn...).

The cover is delivered and packed in a box with instructions inside.

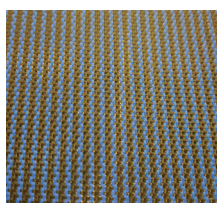
MOUNTS

Compliant with standard NF P 90-308			Not compliant with the NF standard
Version B	Version T	Version D	Version G
 <p>Stainless steel torque spring + wooden decking ring bolt</p>	 <p>Stainless steel torque spring + stainless steel ring bolt</p>	 <p>Stainless steel torque spring + socket ring bolt</p>	 <p>For lawns Stainless steel torque spring + lawn ring bolt</p>

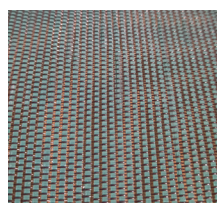


*The warranty does not cover damage caused by faulty installation, poor maintenance or wear and tear of the coping stones.

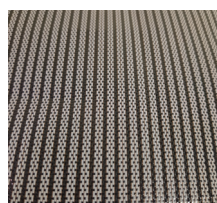
COLORS



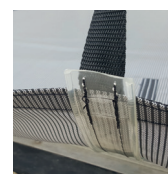
Tible blue



Tible green



Tible grey



Crystal reinforcement
on the seams



Stainless steel
torque spring