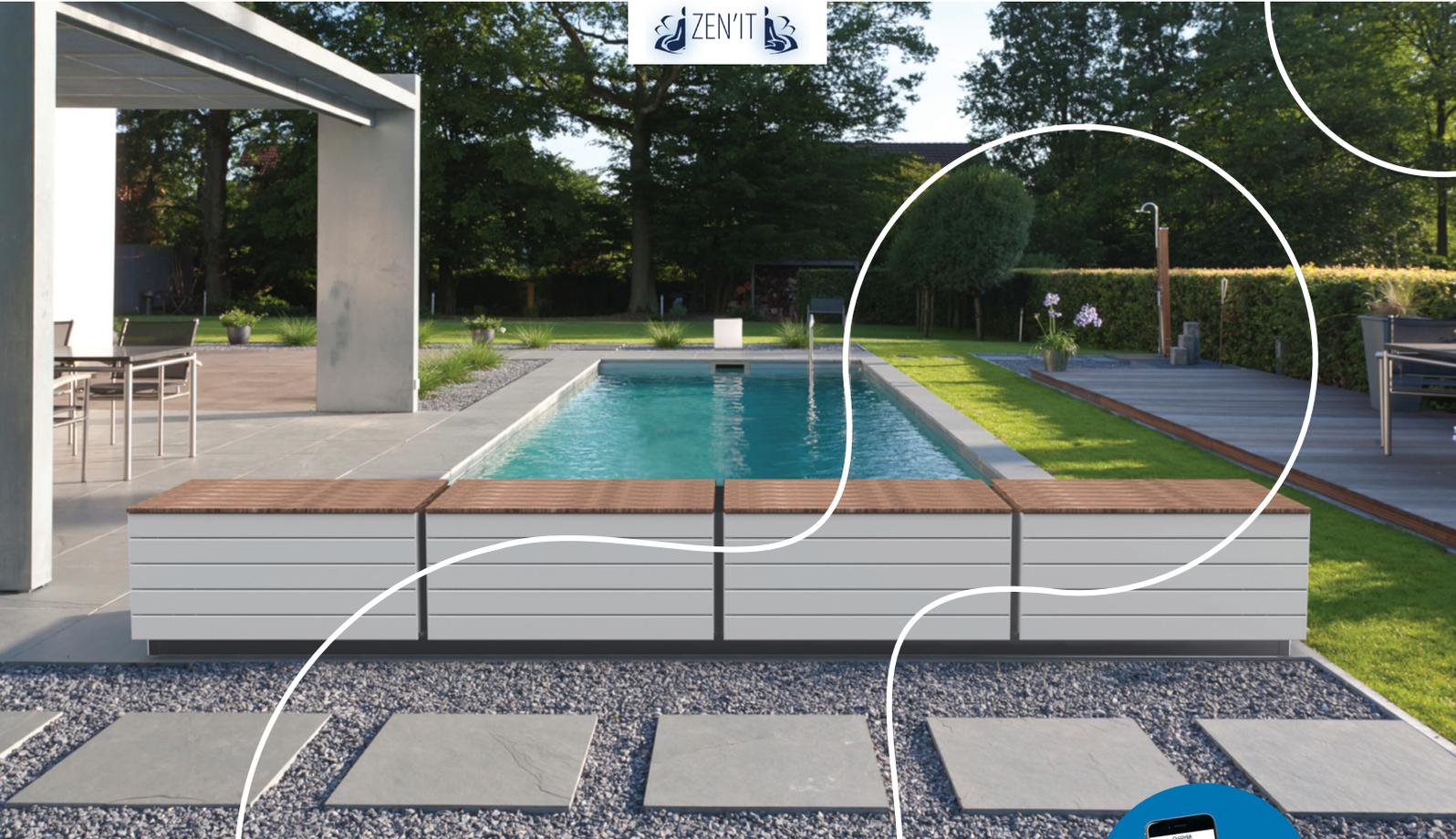


ZEN'IT

BENCH-BOX FOR AUTOMATIC ABOVE-GROUND COVER



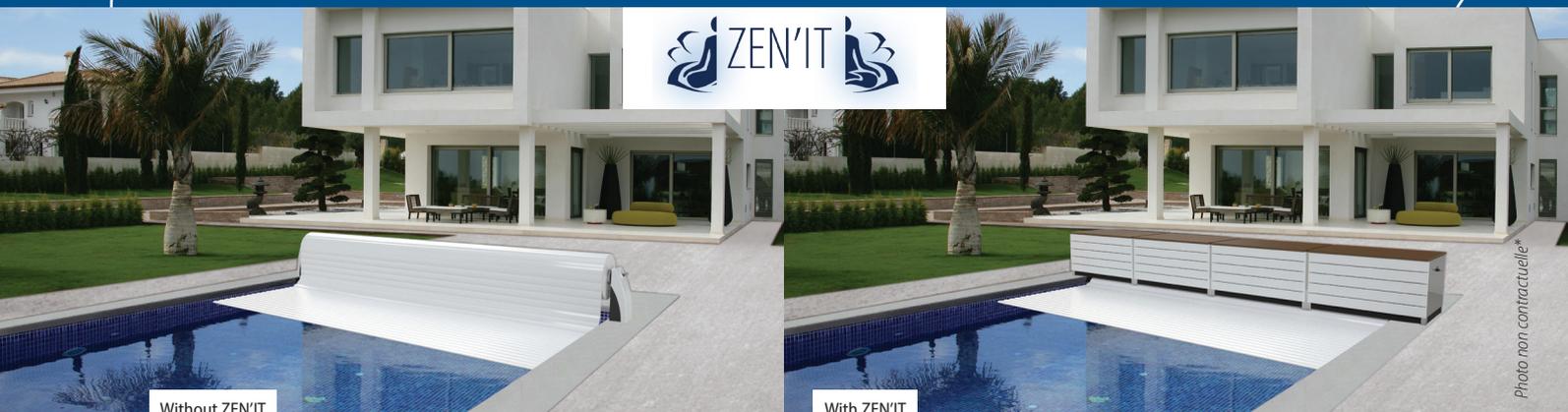
- Covers the shafts of all automatic above-ground covers
- For construction or renovation
- Aesthetic contemporary style bench-box to enhance the pool area



5 YEARS
WARRANTY
ON MOTOR
AND BOX



FLUIDRA



Without ZEN'IT

With ZEN'IT

Photo non contractuelle*



FOR SAFETY BUT ALSO FOR BEAUTY!

For a harmonious exterior, AstralPool offers the **ZEN'IT Bench-Cover**, an elegant unit to cover the above-ground automatic cover and its base. Designed as an outdoor unit, this equipment enhances the space for the pool, but also completes the design of any outdoor space. With its contemporary style, ZEN'IT blends in perfectly with any outdoor environment. Manufactured in France, the ZEN'IT Bench-Box is designed by combining modules made of the highest-quality materials: powder-coated aluminum, PVC and exotic wood.

3-in-1: elegantly covers the above-ground roller and its base, offers a storage area for equipment (a robot, treatment products, children's toys, etc.), for relaxing with family and friends while sitting or sunbathing.

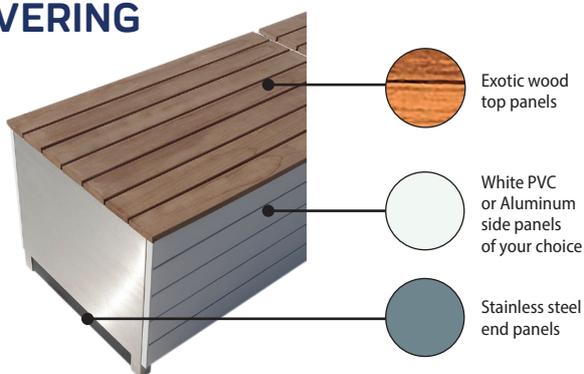
NF P90-308 standard-compliant.

Available immediately from professionals.

Modular solution in kit, quick to assemble without the need for handling equipment.

Aesthetic solution and safety ready to be installed!

COVERING



This storage area is very practical! It uses all the space of the bench.

PRACTICAL INFORMATION

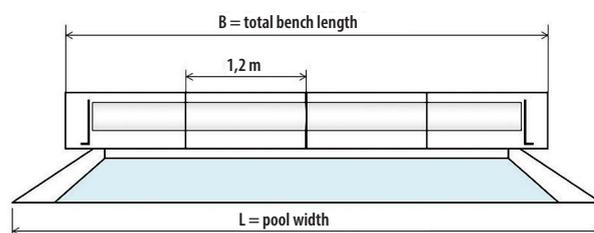
Recommended for installation on concrete, tile and sandstone decks.

ZEN'IT is designed with exotic wood top panels. The white side panels are available in two materials: PVC or powder-coated aluminum. The baseboards are in dark grey powder-coated aluminum (included with the structure).

***Important:** a safety cover is not a substitute for common sense or individual responsibility. It is not intended to replace the vigilance of parents and adults, who still have to be there to protect others, especially young children.

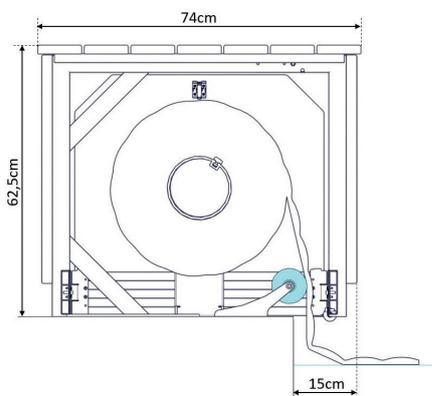
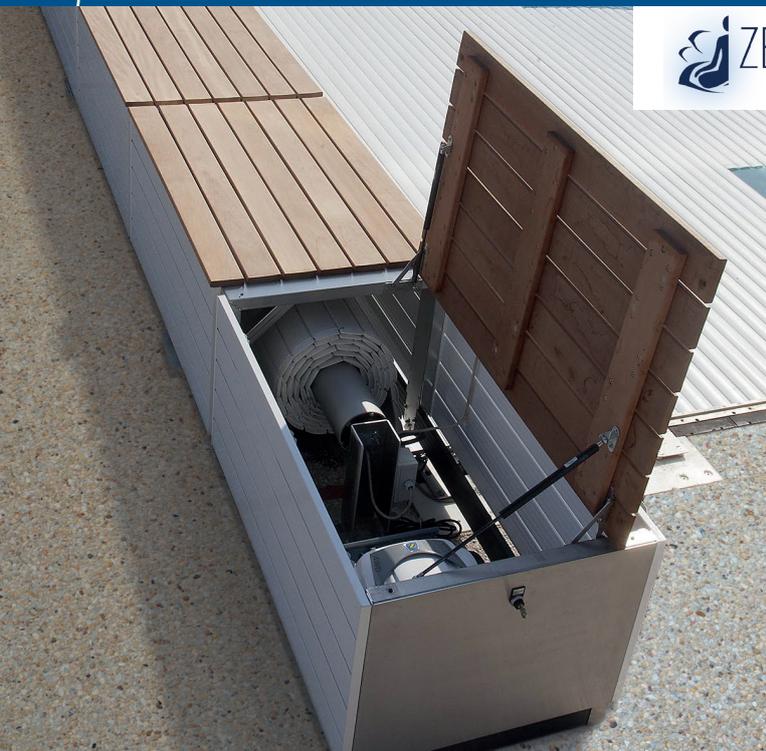
NUMBER OF MODULES REQUIRED DEPENDING ON THE SIZE OF THE POOL:

L = pool width (m)	max pool length (m)	minimum number of modules*	B = total bench length (m)
≤ 3	9	3	3,6
≤ 4,2		4	4,8
≤ 5		5	6
≤ 5,4	8	5	6
≤ 6		6	7,2



* Not recommended for installation on a wooden deck

ZEN'IT, an aesthetic, functional and modular bench-box



If you already have an automatic above-ground cover, give your pool area a new look simply with the ZEN'IT bench.

The ZEN'IT bench can be sold complete but also on its own to cover an existing above-ground roller. Your pool must therefore meet the basic requirements, i.e. its dimensions must not exceed 5 x 9 m or 6 x 8 m and the radii must be less than 7 cm at the corners of the pool, on the roller side.

ZEN'IT



SWITCH ON BASE



Motor : **Tubular**



COVER CONNECT
OPTIONAL



Pool (inner dim.): **6 x 8 or 5 x 9 max.**

5 YEARS
WARRANTY ON MOTOR AND BOX



Roller: **motorized WITH** limit switch. **WITH** chlorination contact.



Solar
OPTIONAL

Kit including a **solar panel** integrated in a wooden panel + a charge regulator + a 24V battery (motor identical to the main version). Not compatible with COVER CONNECT.

• 2 AVAILABLE VERSIONS:

- > Bench only (structure and covering)
- > Bench and mechanics (structure, covering and mechanics)

• OPTION FOR ADDING MODULES

to create more storage and seating



ZEN'IT, THE COMPONENTS:



AUTOMATIC COVER SLATS

The slats are an integral component of the automatic above-ground cover. They must comply with the standard and be aesthetic and hard-wearing.

2 choices of slat: **PVC** or **POLYCARBONATE**. Whatever your choice, they guarantee:

- Standard compliance,
- UV and shock resistance,
- A sleek slat profile and a wide range of colors to complement the surroundings,
- Excellent buoyancy and watertightness thanks to the welded caps,
- 3 years waterproofness warranty,
- Compatibility with water treatment by salt water chlorinator,
- PVC slats can be cut to fit all pool shapes and sizes.

PVC slats are the first choice; however, thanks to their design, slats made of **POLYCARBONATE** guarantee greater resistance to:

- **shocks**, about 8 times more than PVC (45 mn hailstone test).
- **temperature**, deformation point (VICAT) at 140° against 80° on a PVC slat.
- **the passing of time**, very good resistance to ageing.

- > **POLYCARBONATE** slats help **HEAT THE WATER**
- > **Compatible with ALL WATER TREATMENTS** except bromine

Medium Grey PVC



Grey PVC



White PVC



Sand-colored PVC



First slat with guide wheel



Translucent Blue Polycarbonate/Black Top



Transparent Polycarbonate/Black Top



Grey Polycarbonate/Black Top



SAFETY SYSTEMS WALL- OR TOP-MOUNTED

Loop system with fabric strap



ABS system



Stainless steel system

316 L stainless steel loop + PVC strap in the color of the slat



White



Sand



Grey



Medium grey

COVER CONNECT OPTION

COVER CONNECT combines a wireless wall-mounted control unit + a Bluetooth pairing terminal using a free mobile application with no commitment.

Standard-compliant, it will let you open and close your pool from your smartphone or from the secure box, **NO NEED FOR A KEY!**

Request COVER CONNECT documentation!

